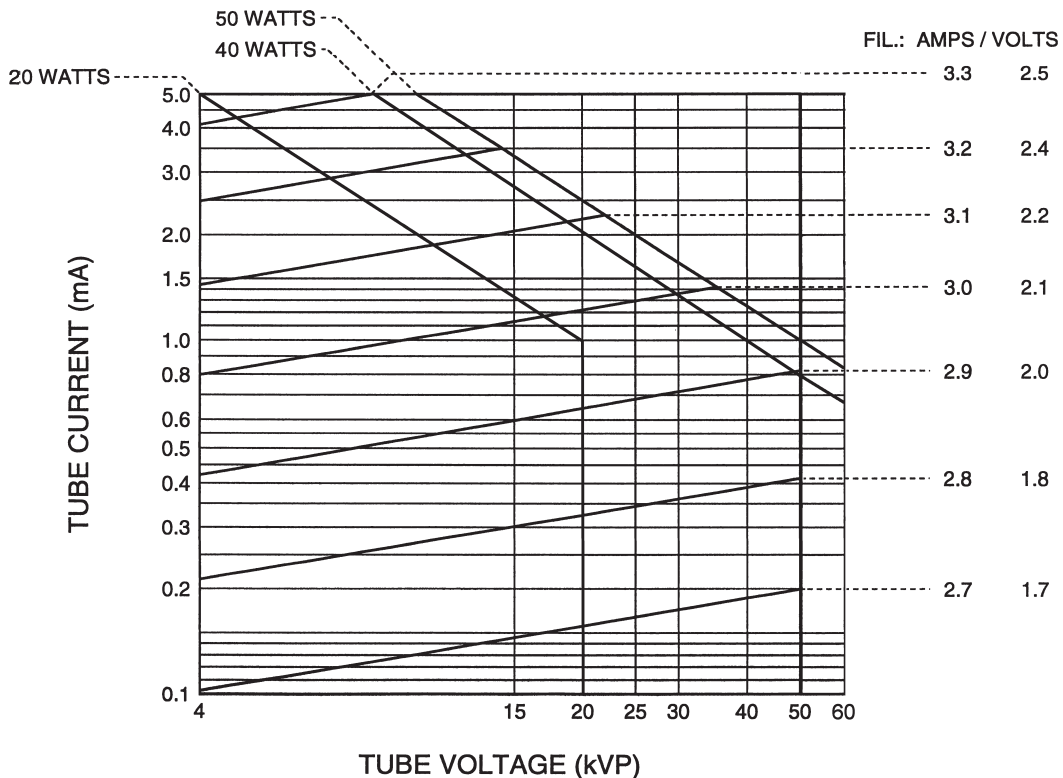


Specification

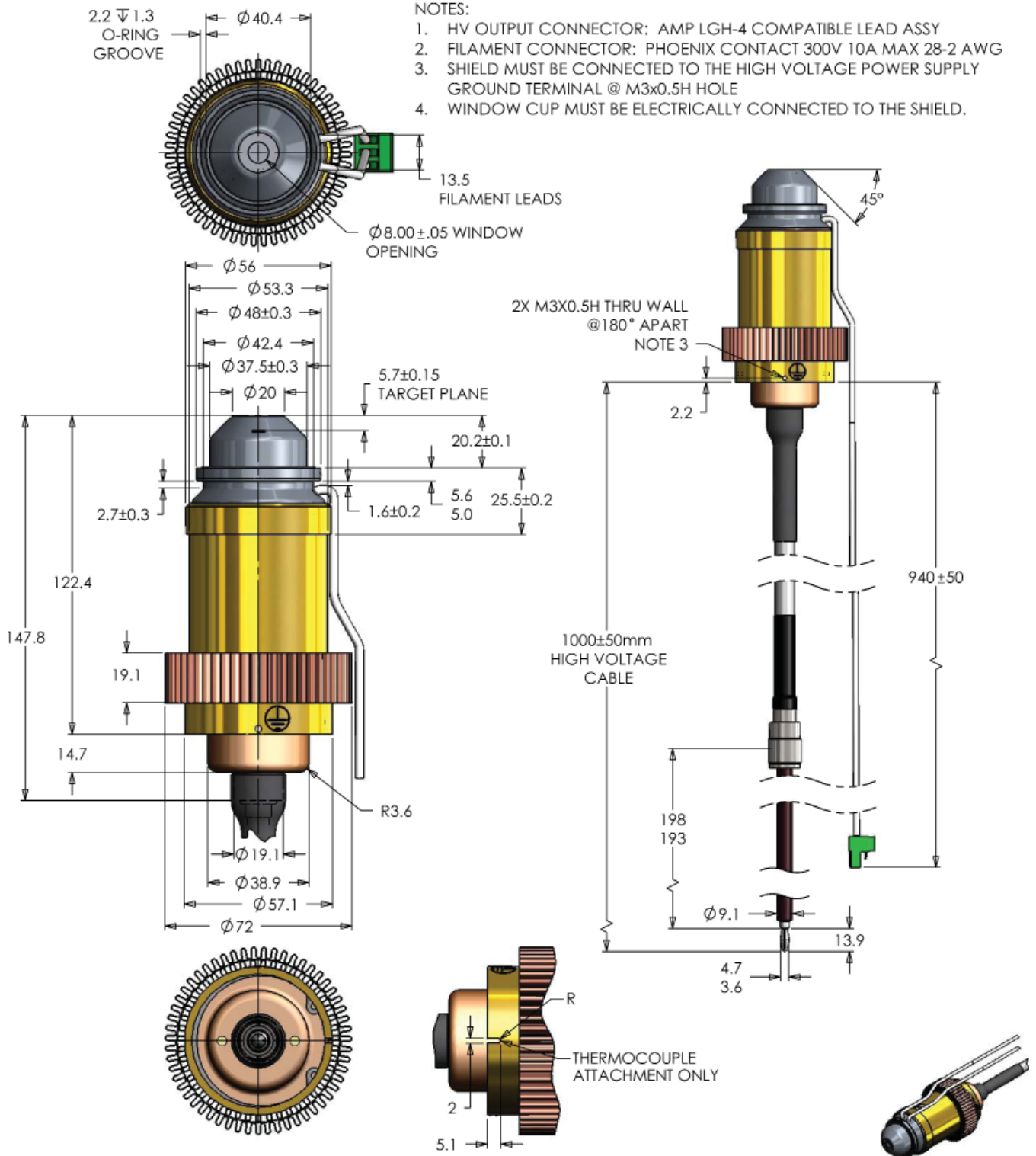
Envelope Ceramic
 Be Window 75 μm (0.0030") Thick
 Anode Copper body with the target material attached
 Standard Target Materials Tungsten
 Target Angle 90° from the central ray
 Focal Spot Typical 1.0 mm
 Maximum Anode Dissipation with 10 cfm forced air cooling 50 Watts
 Filament Characteristics 3.3 Amps and 2.5 Volts maximum
 Maximum Anode Potential 60 kVp Maximum D.C.
 Maximum Tube Current Refer to Emission and Rating Chart
 Cooling Method Forced air convection
 Weight 2.7 lbs (1.23 kg)

DC EMISSION CHART



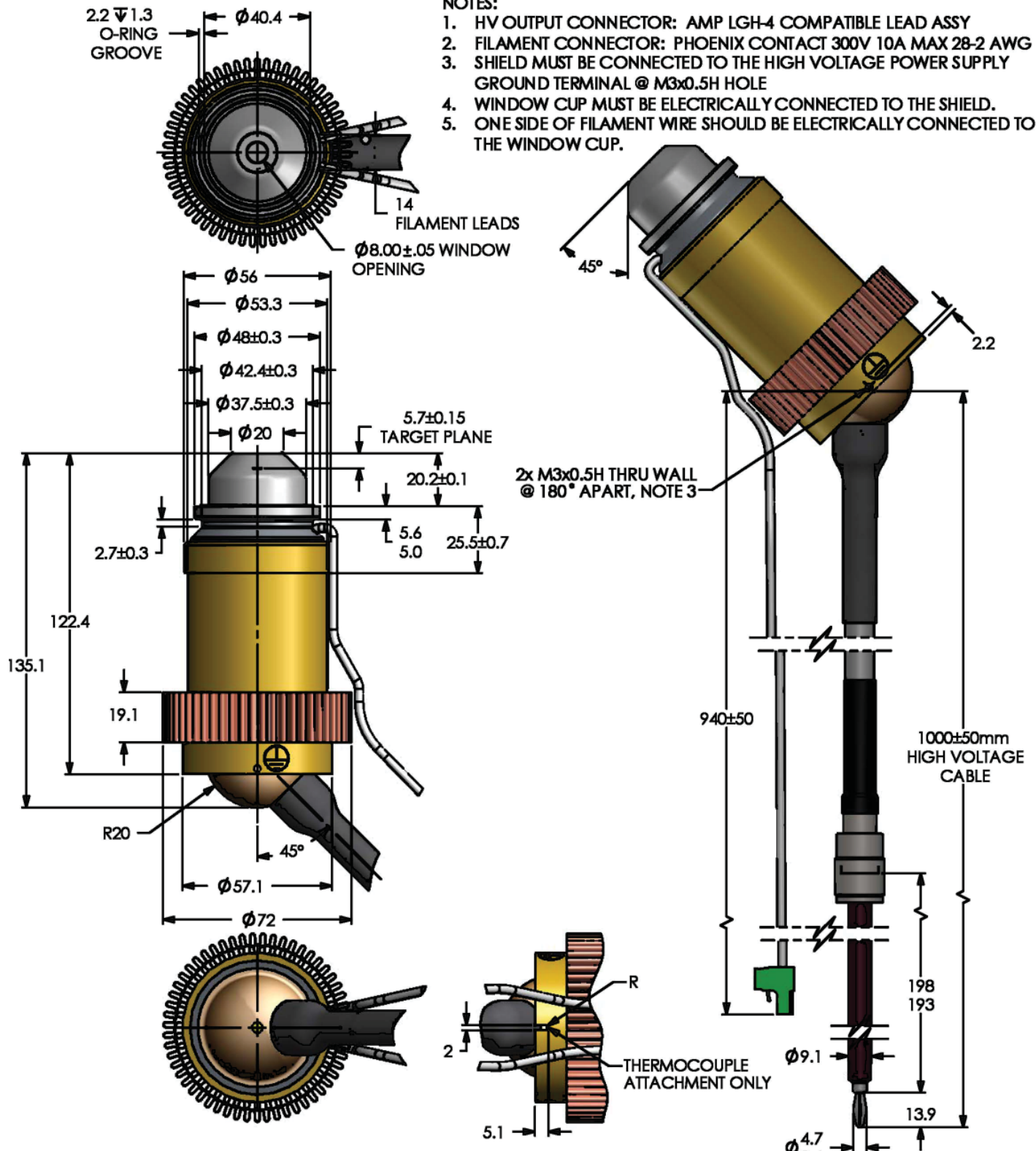
VF-60

Dimensions are for reference only

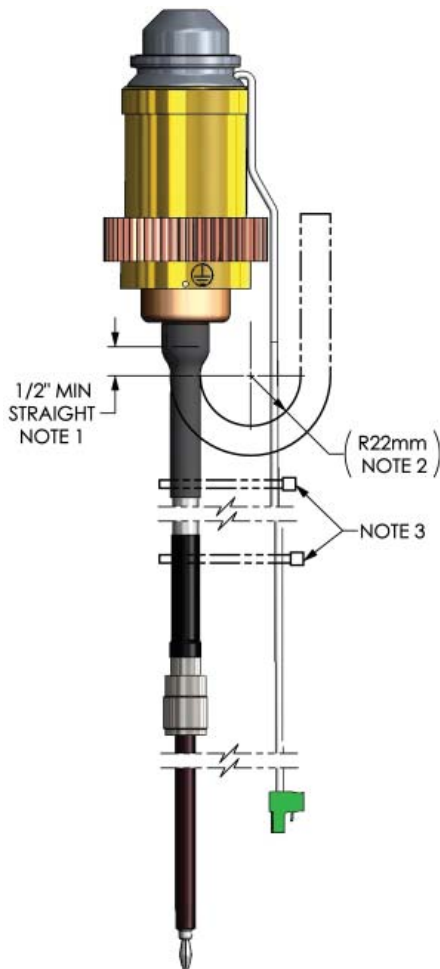


VF-60/S 45°

Dimensions are for reference only

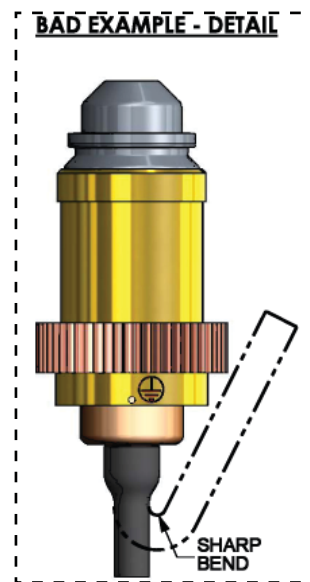


Cable Routing Instructions



Notes:

1. The exit of the high voltage cable from the shield cup must not be bent for 1/2" from the exit. Bad example - details illustrates a poor example of routing of the cable at the shield cup exit.
2. The minimum bent radius of the high voltage cable is 22 mm.
3. The High Voltage cable should not be compressed by cable tie or instrument enclosures. If filament wires need to be routed with the high voltage cable, do not use the cable tie guns to install cable ties. Finger tightening the cable tie is recommended.



Warning

Beryllium windows transmit a very high level of long wavelength X-radiation, which can injure human tissue. Injury may occur from even very short exposures to the primary X-ray beam. Follow all precautions necessary to avoid radiation exposure to humans.

The radiation dose rate cannot be accurately measured with conventional radiation measurement instruments. Radiation intensity in each installation will vary, and calibration must include the effects of long wavelength X-radiation.

Fumes from beryllium metal (or its compounds) as well as dust can be hazardous if inhaled. During use, corrosion products may occur on the beryllium window, but these should not be scraped off, machined, or otherwise removed. Tube unit disposal should conform to federal, state, and local regulations governing beryllium.